

Elite Pro

Standard Features

- 15 needles.
- Sewing speeds of up to 1,200 stitches per minute.
- Variable sewing speed can be adjusted to suit individual applications.
- Ability to sew flats, caps and tubular goods; quick changeover between products.
- Easy-to-read oversized LCD.
- 330mm × 500mm sewing field.
- User-friendly, icon-based machine operation; standard throughout the Barudan line.
- Automatic trimming.
- Automatic color change.
- 65,000 stitch capacity in 10 patterns.
- CF Card (Compact Flash Card) memory expands total capacity to 10 million stitches.
- Network capabilities.
- Radius cylinder arm for the highest quality embroidery on finished caps.
- Individual take-up levers.
- Automatic detector for both top and bobbin thread breaks.
- Super quiet operation.
- Heavy-duty construction.
- Easy maintenance.
- 1,600 stitch back-up.
- Stand-by function.

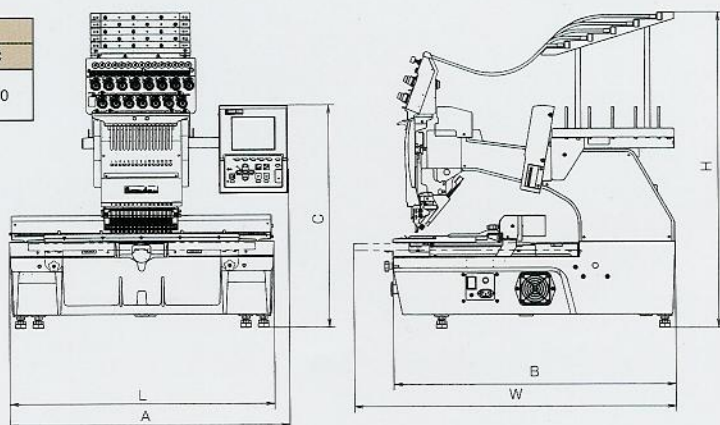


■ SPECIFICATIONS

MODEL	Embroidery Area (mm)	Cap frame Regular (mm)	Frames for Finished Goods Maximum (mm)	Continuous Design (mm)	Number of Needles	Stitch Length (mm)	Speed (rpm)	Power Supply (V)	Motor Capacity (W)	Power Consumption (kW)	Power (kVA)
BEDT-ZQ-501	330×500	79×360	330×438	330×500	15	0.1~12.7	1,200	1φ 100~240V	90	0.25	1

■ MACHINE MAIN DIMENSIONS

MODEL	Dimensions (mm)					
	L	W	H	A	B	C
BEDT-ZQ-501	750	910	890	795	800	630



Note1 : The embroidery area indicated above allows for maximum pantograph movement. The frame used may restrict the actual embroidery field size.

Note2 : The sewing speed range is indicated above. Actual sewing speed should be adjusted for your embroidery application, i.e., stitch length, fabric used, etc.

"Barudan" is a trademark of BARUDAN CO., LTD. in Japan.



BARUDAN CO., LTD.

SALES DEPT./ 20 Tsukagoshi, Josuiji, Ichinomiya-city,
Aichi-pref., 491-0004 Japan
Phone : +81 586-76-1137 Fax : +81 586-77-1499
U R L : <http://www.barudan.co.jp/>
E-mail : info@barudan.co.jp

Agent :

Barudan America, Inc.

Sales & Technical Support
5 Oak Branch Drive, Suite E
Greensboro, NC 27407-2157 U.S.A.
Phone : 800-627-4776, 336-547-6100
F a x : 336-547-6090

Barudan Canada, Inc.

2244 Drew Road, Unit 5
Mississauga, Ontario L5S 1B1,
Canada
Phone : 905-671-4010
F a x : 905-671-0945

www.barudan.com